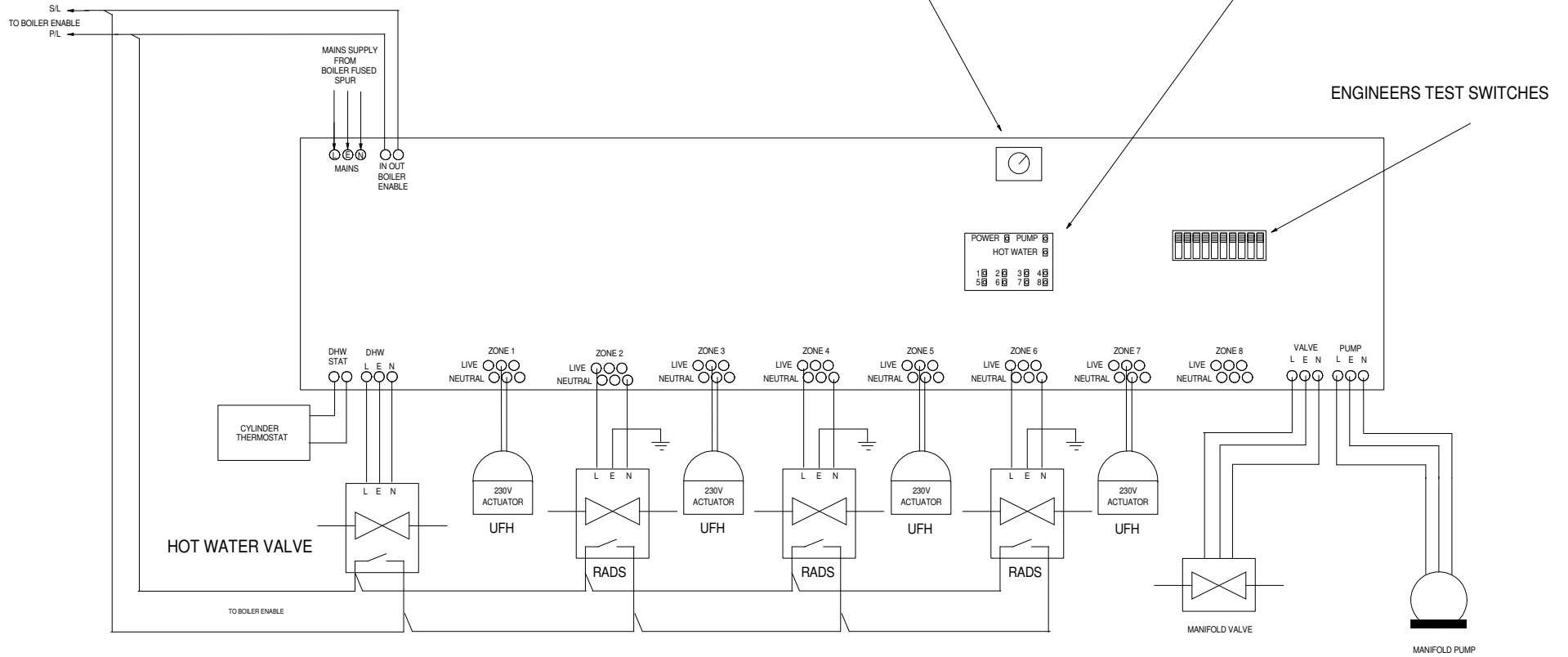


S/L AND P/L CONNECTIONS WILL VARY DEPENDING ON BOILER MODELS BUT WILL NORMALLY BE CONNECTED TO THE THERMOSTAT CONNECTIONS

USED TO SET UH1-W NETWORK ID NUMBER

STATUS INDICATOR LIGHTS

ENGINEERS TEST SWITCHES



UFH = UNDERFLOOR HEATING ZONE
RADS = RADIATOR ZONE

NB RADIATOR ZONES DO NOT ENABLE THE BOILER UNLESS THE VALVES ARE WIRED AS SHOWN

